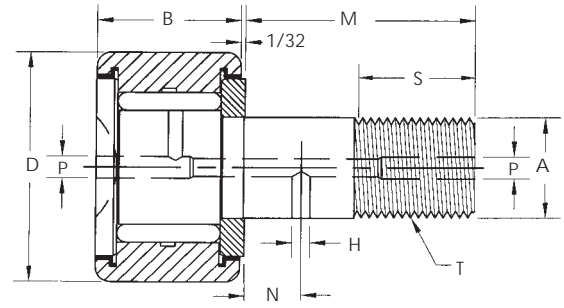


**CR & CR-X**

**Regular Stud**

**Screwdriver Slot**

Regular Stud with  
Screw-Driver Slot  
Sealed or Unsealed  
X = Sealed



Dimensional Data (inches)

SMITH Bearing® Number		D Roller O.D. +.000 -.001	B Roller Width +.000 -.005	A Stud Dia. +.001 -.000	M Stud Length	S Eff. Thread Min.	T Thread U.N.F. Class 2A	N Oil Hole Location	H Oil Hole Dia.	P Lube Fitting Size	Min. Boss. Dia.	Recom. Bore +.0005 -.0000	Recom. Torque (lbs-in)	Basic Dynamic Rating (lbs)	Max. Static Capacity (lbs)
UNSEALED	SEALED														
CR-1/2A	CR-1/2-AX	.500	.344	.190	1/2	1/4	10-32	-	-	*1/8	19/64	.1900	20	870	720
CR-1/2	CR-1/2-X	.500	.375		5/8									970	
CR-9/16	CR-9/16-X	.5625													
CR-5/8A	CR-5/8-AX	.625	.406	.250	5/8	5/16	1/4-28	-	-	*1/8	23/64	.2500	50	1210	1250
CR-5/8	CR-5/8-X	.625	.4375		3/4									1320	
CR-11/16	CR-3/4-X	.6875													
CR-3/4	CR-3/4-X	.750	.500	.375	7/8	3/8	3/8-24	1/4	3/32	3/16	1/2	.3750	120	2140	2260
CR-7/8	CR-7/8-X	.875													
CR-1	CR-1-X	1.000	.625	.4375	1	1/2	7/16-20	1/4	3/32	3/16	5/8	.4375	350	3030	3100
CR-1 1/8	CR-1 1/8-X	1.125													
CR-1 1/4	CR-1 1/4-X	1.250	.750	.500	1 1/4	5/8	1/2-20	5/16	3/32	3/16	3/4	.5000	500	4470	4300
CR-1 3/8	CR-1 3/8-X	1.375													
CR-1 1/2	CR-1 1/2-X	1.500	.875	.625	1 1/2	3/4	5/8-18	3/8	3/32	3/16	57/64	.6250	1000	5560	5730
CR-1 5/8	CR-1 5/8-X	1.625													
CR-1 3/4	CR-1 3/4-X	1.750	1.000	.750	1 3/4	7/8	3/4-16	7/16	3/32	3/16	1 3/64	.7500	2000	7870	7950
CR-1 7/8	CR-1 7/8-X	1.875													
CR-2	CR-2-X	2.000	1.250	.875	2	1	7/8-14	1/2	5/32	3/16	1 13/64	.8750	2200	10370	10700
CR-2 1/4	CR-2 1/4-X	2.250													
CR-2 1/2	CR-2 1/2-X	2.500	1.500	1.000	2 1/4	1 1/8	1-14	9/16	5/32	3/16	1 5/16	1.0000	3000	15280	16650
CR-2 3/4	CR-2 3/4-X	2.750													
CR-3	CR-3-X	3.000	1.750	1.250	2 1/2	1 1/4	1 1/4-12	5/8	1/4	1/4	1 3/4	1.2500	5000	20200	25200
CR-3 1/4	CR-3 1/4-X	3.250													
CR-3 1/2	CR-3 1/2-X	3.500	2.000	1.375	2 3/4	1 3/8	1 3/8-12	11/16	1/4	1/4	2	1.3750	6000	29660	31800
CR-4	CR-4-X	4.000	2.225	1.500	3 1/2	1 1/2	1 1/2-12	3/4	1/4	1/4	2 1/4	1.5000	7000	35980	45100
	CR-5-XB	Available in Hex Hole Configuration only.													
	CR-6-XB														

\* Relubricate through head end only.