

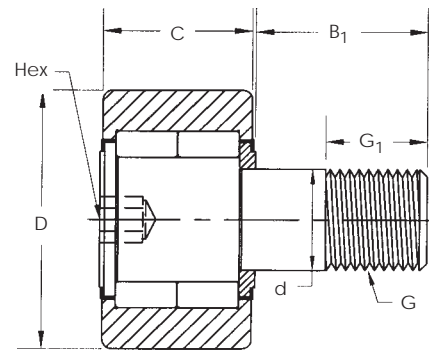
DCR

Double Row • Heavy Roller

Stud Type

Shielded • Full Complement

Hex-Drive Socket



INTERCHANGE

SMITH®	RBC
DCR-1 ¹ / ₂	RBC-1 ¹ / ₂
DCR-1 ⁵ / ₈	RBC-1 ⁵ / ₈
DCR-1 ³ / ₄	RBC-1 ³ / ₄
DCR-1 ⁷ / ₈	RBC-1 ⁷ / ₈
DCR-2	RBC-2
DCR-2 ¹ / ₄	RBC-2 ¹ / ₄
DCR-2 ¹ / ₂	RBC-2 ¹ / ₂
DCR-2 ³ / ₄	RBC-2 ³ / ₄
DCR-3	RBC-3
DCR-3 ¹ / ₄	RBC-3 ¹ / ₄
DCR-3 ¹ / ₂	RBC-3 ¹ / ₂
DCR-4	RBC-4
DCR-5	RBC-5
DCR-6	RBC-6

General Information

The **SMITH DCR** series is designed to meet higher performance requirements. Bearings are provided with a double row of **Heavy Duty Rollers**, thicker outer ring and contact seals all which provide a longer life. Consult our Engineering Department for special variations.

Bearings are dimensionally interchangeable, however internal design varies between manufacturers.

Dimensional Data (inches)

SMITH Bearing® Number	D Roller O.D. + .000 - .001	C Roller Width + .000 - .005	d Stud Dia. + .001 - .000	B1 Stud Length	G1 Eff. Thread Min.	G Thread U.N.F. Class 2A	HEX Size	Bearing Dynamic Capacity (lbs)	Bearing Static Capacity (lbs)	Max. Allow Load (lbs)	Track Capacity at 40RC (lbs)	Max. Clamp Torque (lbs-ft)
DCR-1 ¹ / ₂	1.500	.875	.625	1.500	.750	5/8-18	3/8	5,660	6,180	2,470	3,260	32
DCR-1 ⁵ / ₈	1.625	.875	.625	1.500	.750	5/8-18	3/8	5,660	6,180	2,890	3,530	32
DCR-1 ³ / ₄	1.750	1.000	.750	1.750	.875	3/4-16	3/8	8,400	10,800	3,200	4,460	62
DCR-1 ⁷ / ₈	1.875	1.000	.750	1.750	.875	3/4-16	3/8	8,400	10,800	3,910	4,750	62
DCR-2	2.000	1.250	.875	2.000	1.000	7/8-14	1/2	12,800	17,700	5,400	6,400	75
DCR-2 ¹ / ₄	2.250	1.250	.875	2.000	1.000	7/8-14	1/2	12,800	17,700	6,800	7,200	75
DCR-2 ¹ / ₂	2.500	1.500	1.000	2.250	1.125	1-14	9/16	17,300	20,800	9,000	9,200	108
DCR-2 ³ / ₄	2.750	1.500	1.000	2.250	1.125	1-14	9/16	17,300	20,800	10,800	10,200	108
DCR-3	3.000	1.750	1.250	2.500	1.250	1 ¹ / ₄ -12	5/8	29,700	40,200	14,700	13,100	166
DCR-3 ¹ / ₄	3.250	1.750	1.250	2.500	1.250	1 ¹ / ₄ -12	5/8	29,700	40,200	17,500	14,100	166
DCR-3 ¹ / ₂	3.500	2.000	1.375	2.750	1.375	1 ³ / ₈ -12	5/8	37,000	49,500	21,000	17,000	208
DCR-4	4.000	2.250	1.500	3.500	1.500	1 ¹ / ₂ -12	3/4	46,700	58,800	23,400	21,600	250
DCR-5	5.000	2.750	2.000	5.062	1.563	2-12	1	72,400	98,400	43,300	34,420	250
DCR-6	6.000	3.250	2.500	6.000	3.000	2 ¹ / ₂ -12	1	93,800	160,000	59,500	50,500	250

- 1) Add suffix "C" for Crowned Outer Race. Example: **DCR-2-C**.
- 2) Lubrication Holes available upon request.
- 3) Available Unsealed upon request.