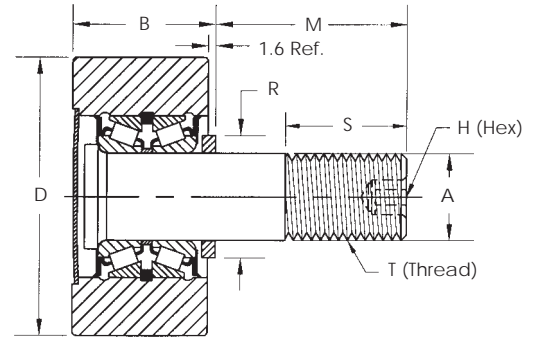


MPCR

Plain Stud Style

SMITH-TRAX®



General Information

The **Smith-Trax®** Series bearings are designed and manufactured to handle increased axial and radial loads by using **Tapered Roller Bearings** or **Deep Groove Ball Bearings**. These bearings should be used when standard needle roller bearings are not sufficient to handle the thrust load found in certain applications. Consult our Engineering Department for special requirements.

Dimensional Data (mm)

SMITH Bearing® Number	BEARING TYPE	D Roller O.D.	B Roller Width	A Stud Diameter	M Stud Length	S Eff. Thread Min	T Thread	H Hex Size	R Shoulder Width or End Plate Diameter	Radial Basic Dynamic Rating (N) 500 hrs. 33 rpm.	Dynamic Thrust Load Rating (N) 500 hrs. 33 rpm.	Max Static Capacity (N)
	TRB-Tapered Roller Bearing BB-Ball Bearing	+0.00 -0.02		+0.00 -0.02								
MPCR-26	BB	26	20.0	10	23.0	13	M10 X 1	4	13.1	2,790	1,720	1,000
MPCR-30	BB	30	20.0	12	25.0	14	M12 X 1.5	4	15.9	2,790	1,720	1,000
MPCR-32	BB	32	22.0	12	25.0	14	M12 X 1.5	8	15.9	6,000	3,700	2,680
MPCR-35	BB	35	22.0	16	32.5	18	M16 X 1.5	8	19.1	6,000	3,700	2,680
MPCR-40	BB	40	30.0	14	40.0	26	M14 X 2	8	18.0	12,200	7,560	4,900
MPCR-47	BB	47	27.6	20	40.5	21	M20 X 1.5	8	25.5	12,200	7,560	4,900
MPCR-50	TRB	50	40.0	16	50.0	35	M16 X 2	8	23.0	17,000	10,600	7,200
MPCR-52	TRB	52	33.6	20	40.5	21	M20 X 1.5	8	25.5	17,000	10,600	7,200
MPCR-62	TRB	62	44.0	24	58.0	35	M24 X 3	8	32.0	23,100	14,200	10,100
MPCR-72	TRB	72	44.0	24	49.5	25	M24 X 1.5	8	32.0	48,400	17,840	33,900
MPCR-76	TRB	76	52.0	30	69.5	40	M30 X 3.5	8	44.5	63,600	25,700	89,000
MPCR-80	TRB	80	52.0	30	69.5	40	M30 X 3.5	8	44.5	63,600	25,700	89,000
MPCR-85	TRB	85	52.0	30	69.5	40	M30X 3.5	8	44.5	63,600	25,700	89,000
MPCR-90	TRB	90	52.0	30	69.5	40	M30X 3.5	8	44.5	63,600	25,700	89,000
MPCR-100	TRB	100	52.0	30	80.0	50	M30X 3.5	8	44.5	63,600	25,700	89,000
MPCR-125	TRB	125	76.0	48	105.0	60	M48 X 5	12	82.5	148,100	58,500	238,000
MPCR-150	TRB	150	76.0	64	140.0	82	M64 X 6	12	82.5	159,000	63,000	251,000
MPCR-200	TRB	200	76.0	64	140.0	82	M64 X 6	12	82.5	159,000	63,000	251,000