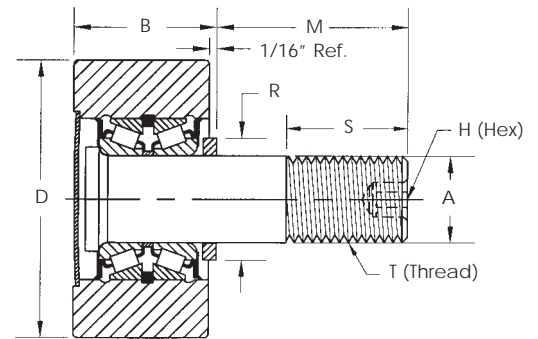


PCR

Plain Stud Type

SMITH-TRAX®



General Information

The **Smith-Trax®** Series bearings are designed and manufactured to handle increased axial and radial loads by using **Tapered Roller Bearings** or **Deep Groove Ball Bearings**. These bearings should be used when standard needle roller bearings are not sufficient to handle the thrust load found in certain applications. Consult our Engineering Department for special requirements.

Dimensional Data (inches)

SMITH Bearing® Number	BEARING TYPE TRB-Tapered Roller Bearing BB-Ball Bearing	D Roller O.D. +.000 -.001	B Roller Width	A Stud Diameter +.001 -.000	M Stud Length	S Eff. Thread Min	T Thread U.N.F. Class 2A	H Hex Size	R Shoulder Width or End Plate Diameter	Radial Basic Dynamic Rating (lbs) 500 hrs. 33 rpm.	Dynamic Thrust Load Rating (lbs) 500 hrs. 33 rpm.	Max Static Capacity (lbs)
PCR-1½	BB	1.500	1.187	.625	1½	¾	5/8-18	5/16	0.750	2,520	1,320	1,370
PCR-1¾	BB	1.750	1.187	.750	1¾	7/8	3/4-16	5/16	1.000	2,520	1,320	1,370
PCR-2	BB	2.000	1.687	.875	2	1 1/8	7/8-14	5/16	1.000	3,490	1,830	2,000
PCR-2¼	BB	2.250	1.687	.875	2	1 1/8	7/8-14	5/16	1.000	3,490	1,830	2,000
PCR-2½	BB	2.500	1.687	1.000	2¼	1 1/2	1-14	7/16	1.250	5,120	2,680	3,120
PCR-2¾	BB	2.750	1.687	1.000	2¼	1 1/2	1-14	7/16	1.250	5,120	2,680	3,120
PCR-3	TRB	3.000	2.000	1.250	2½	1¾	1¼-12	1/2	1.750	14,300	5,790	16,000
PCR-3¼	TRB	3.250	2.000	1.250	2½	1¾	1¼-12	1/2	1.750	14,300	5,790	16,000
PCR-3½	TRB	3.500	2.000	1.250	2¾	1¾	1¼-12	1/2	1.750	14,300	5,790	16,000
PCR-4	TRB	4.000	2.000	1.250	2¾	1¾	1¼-12	1/2	1.750	14,300	5,790	16,000
PCR-4½	TRB	4.500	2.000	1.250	2¾	1¾	1¼-12	1/2	1.750	14,300	5,790	16,000
PCR-5	TRB	5.000	3.000	2.000	4½	2½	2-12	5/8	3.250	35,800	13,300	40,000
PCR-6	TRB	6.000	3.000	2.500	5½	3¼	2½-12	5/8	3.250	35,800	14,200	62,000
PCR-7	TRB	7.000	3.000	2.500	5½	3¼	2½-12	5/8	3.250	35,800	14,200	62,000
PCR-8	TRB	8.000	3.000	2.500	5½	3¼	2½-12	5/8	3.250	35,800	14,200	62,000